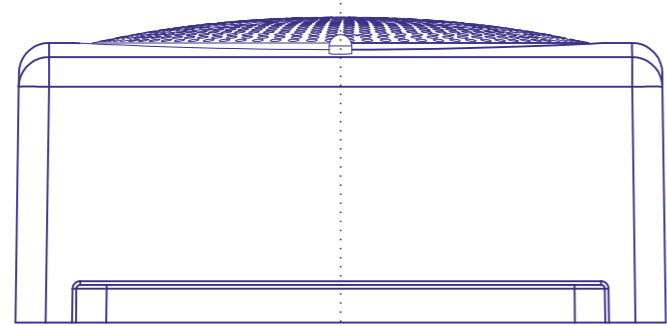
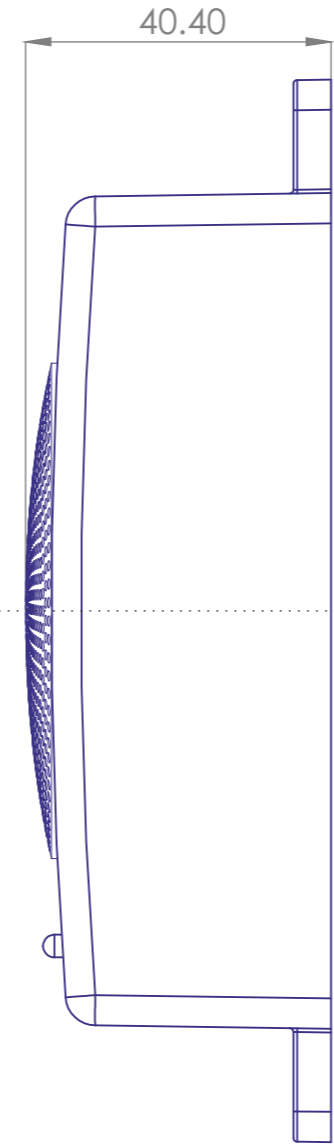
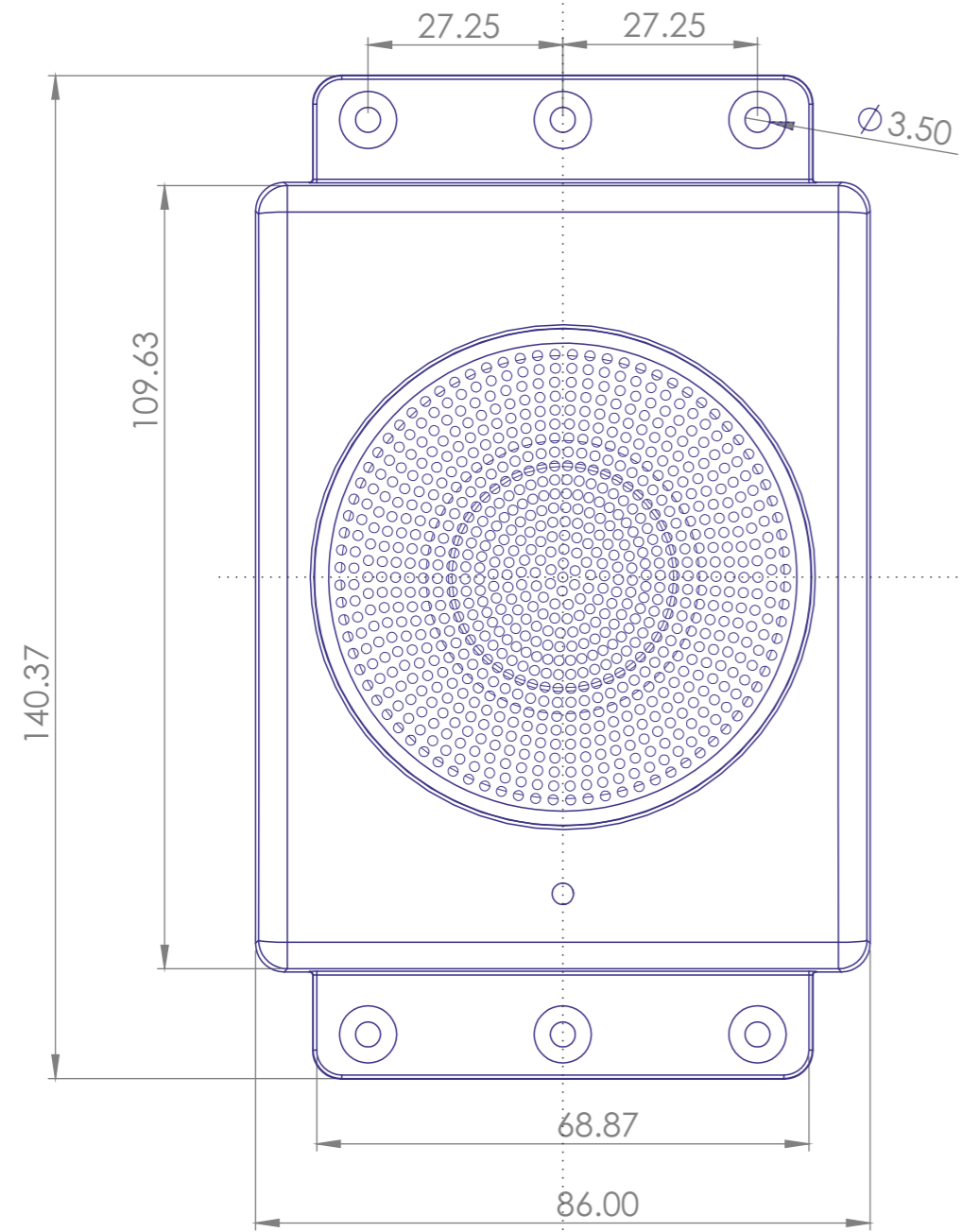


PROPRIETARY AND CONFIDENTIAL
THE INFORMATION CONTAINED IN THIS
DRAWING IS THE SOLE PROPERTY OF
CUSTOM LOGICS PVT LTD. ANY
REPRODUCTION IN PART OR AS A WHOLE
WITHOUT THE WRITTEN PERMISSION OF
CUSTOM LOGICS PVT LTD IS PROHIBITED.



Title:-	GIZMOCAT- 2nd	Units:-	mm
Model no:-	GC-AC-DC, GC-DC	Date:-	18/05/2021
Dwg.:-	GIZMOCAT_2nd_Gen_Assembly		

Custom Logics Pvt Ltd - Mumbai - India