

GIZMOCAT

Model - GC-AC-DC-2nd gen

Technical Specifications

Supply -

AC - Voltage	: 35 to 250 V (AC)
AC - Current (Average) *	: ~5 mA (AC)
AC - Power (Average) *	: ~1.15 W (AC)
DC - Voltage	: 35 to 300 V (DC)
DC - Current (Average) ‡	: ~51 mA (DC)
DC - Power (Average) ‡	: ~1.8 W (DC)

Note-

* Rated @ 230 VAC

‡ Rated @ 35 VDC

ZigZag ultrasound -

Frequency range	: 20 to 60 kHz
Sound output power †	: 80 to 110 dB

Note-

† Within IRPA safety guidelines

Fuse -

Type	: Glass Tube - 20mm
Housing	: PCB mounted
Rating	: 1 A

Weight -

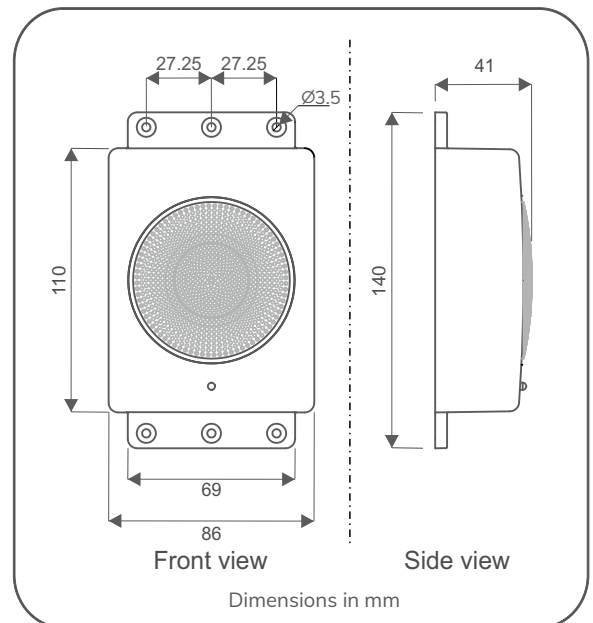
Unit weight	: 320 gm
Packaged weight	: 390 gm

Coverage-

Area : upto 300 sq ft.

Ultrasound needs enclosed space for proper functioning. It needs to reflect off multiple surfaces. Coverage area decreases if the walls and contents of the room have acoustically damping (sound absorbing) materials.

Dimensions -

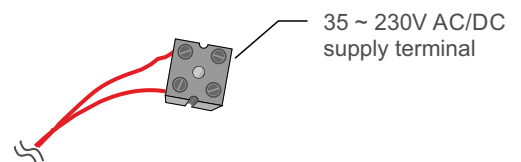


Length	: 114 mm
Width	: 86 mm
Height	: 45 mm

Enclosure-

Material	: Polycarbonate
Grade	: Fire resistant

Connections-



Note-

- Universal AC/DC supply
- Bridge rectified - DC polarity does not matter