

GIZMOCAT

Model - GC-DC-2nd gen

Technical Specifications

Supply -

Voltage	: 12 to 35 VDC
Current (Peak)*	: ~70 mA
Current (Average) *	: ~60 mA
Power (Average)*	: ~720 mW

Note-

* Rated @ 12 VDC

ZigZag ultrasound -

Frequency range	: 20 to 60 kHz
Sound output power †	: 80 to 110 dB

Note-

† Within IRPA safety guidelines

Fuse -

Type	: Mini blade
Housing	: Inline / Waterproof
Rating	: 1 A

Weight -

Unit weight	: 280 gm
Packaged weight	: 390 gm

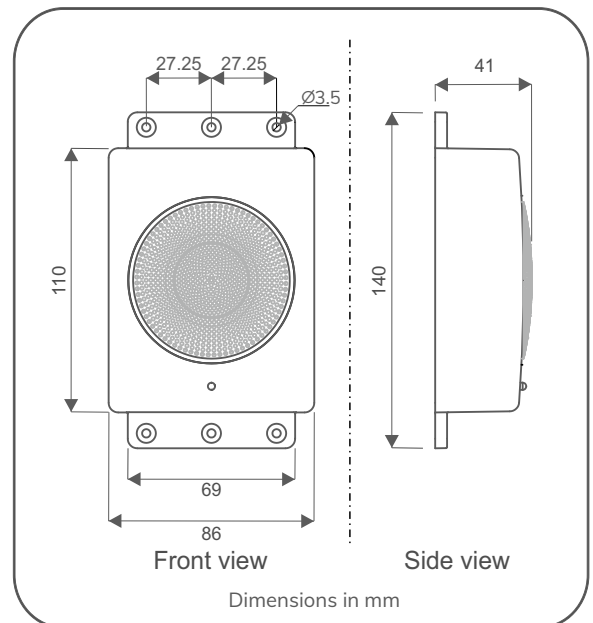
Coverage-

Area	: upto 300 sq ft.
------	-------------------

Note-

Ultrasound needs enclosed space for proper functioning. It needs to reflect off multiple surfaces. Coverage area decreases if the walls and contents of the room have acoustically damping (sound absorbing) materials.

Dimensions -



Length	: 114 mm
Width	: 86 mm
Height	: 45 mm

Enclosure-

Material	: Polycarbonate
Grade	: Fire resistant

Connections-

